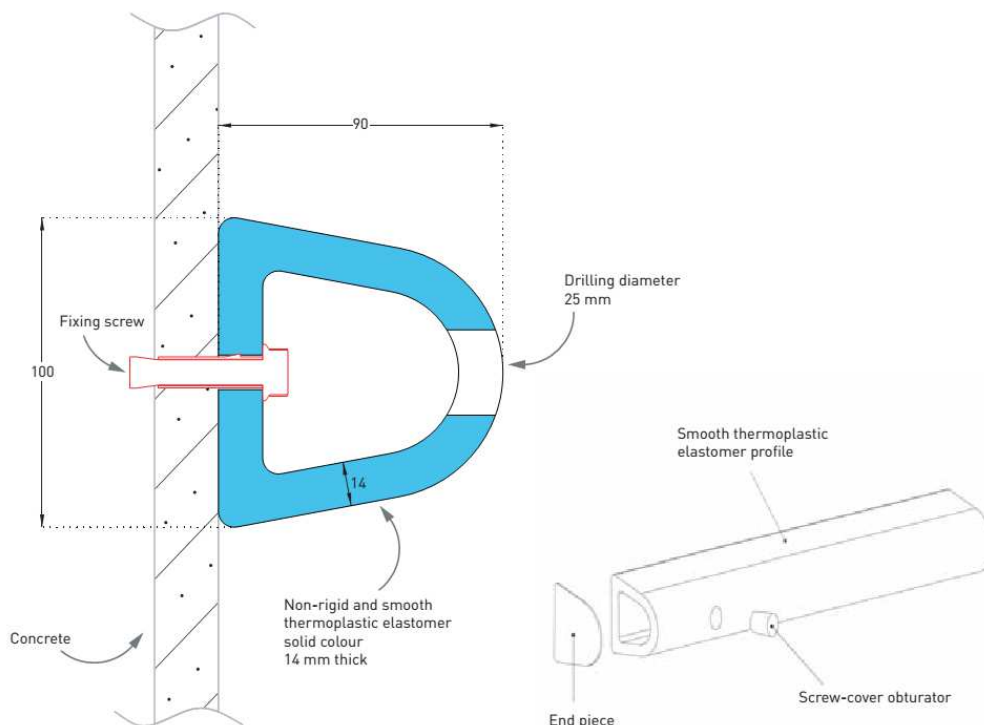




# Installation procedure ELASTO Range

## 1. WALL PROTECTION RAIL ELASTO'PUNCH 100D

- **Cut the wall protection rail, to the requested length**  
*Use a circular saw or a cutter with a large blade in lubricating continuously with water.*
- **Drill the profile at 100 mm from each end**
  - diameter 25 mm for the passage of the screw head and the washer
  - diameter 10 mm for the passage of the screw
- **Repeat the drilling about every 300 mm.**
- **Mark the high point of the wall protection rail with respect to the floor (according to prescription).**
- **Use the wall protection rail as a template to mark and counter-drill the wall.**
- **Select the kind of screw-plug suitable for the support.**
- **Mount the wall protection rail on the wall thanks to M7 socket or cylindric head cap screws and equipped with washer.**

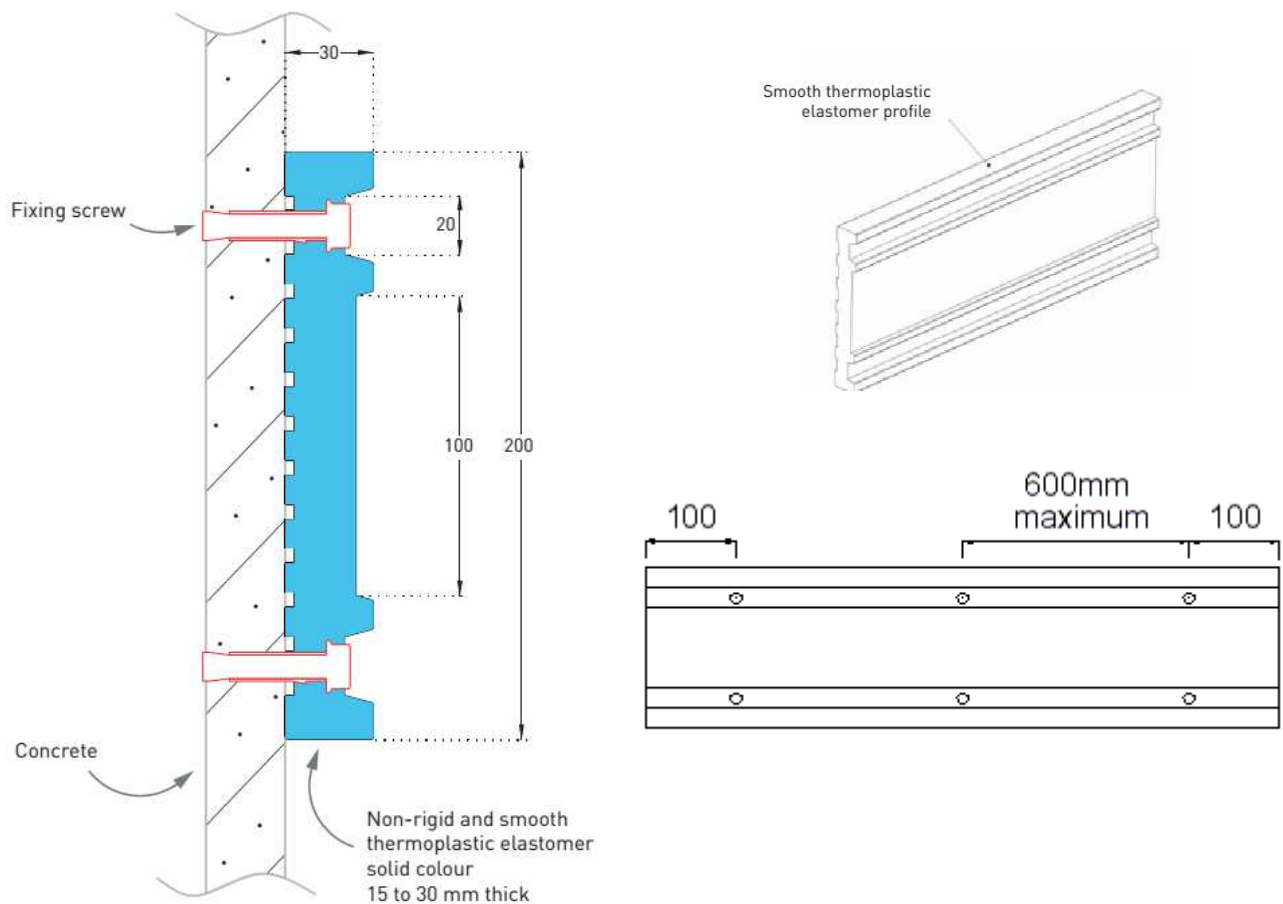




# Installation procedure ELASTO Range

## 2. WALL PROTECTION RAIL ELASTO'PUNCH 200E

- **Cut the wall protection rail, to the requested length**  
*Use a circular saw or a cutter with a large blade in lubricating continuously with water.*
- **Drill the profile at 100 mm from each end**
  - diameter 10 mm for the passage of the screw
  - in each groove of the profile as diagram
- **Repeat the drilling about every 600 mm.**
- **Mark the high point of the wall protection rail with respect to the floor (according to prescription).**
- **Use the wall protection rail as a template to mark and counter-drill the wall.**
- **Select the kind of screw-plug suitable for the support**
- **Mount the wall protection rail on the wall thanks to M7 socket or cylindric head cap screws, equipped with washer.**





# Installation procedure ELASTO Range

## 3. VARIABLE ANGLE CORNER PROTECTION ELASTO'FLEX 100V

- ***Cut the wall protection rail, to the requested length***  
*Use a circular saw or a cutter with a large blade in lubricating continuously with water*
- ***Drill the profile at 20 mm from each end as diagram***
  - diameter 7 mm for the passage of the screw
- ***Repeat the drilling about every 300 mm, in quincunx***
- ***Use the corner as a template to forward the locations of the holes on the wall.***
- ***Select the kind of screw-plug suitable for the support***
- ***Fix the corner to the wall with M5 domed head screws, equipped with washer.***

